

3Dmdd

3D Mechanical Design Drafting Pty Ltd *no problems, only solutions*

abn - 60 773 176 852
acn - 125 852 995

Mobile - 0407 640 827
Email – nhwalters@3dmdd.com.au
Web – www.3dmdd.com.au

3D Mechanical Design Drafting Pty Ltd provides a Professional Design Drafting Service located on the Sunshine Coast, Queensland. We can help you develop with 20+ years of practical knowledge and ability & 17+ years of design drafting, take your design beyond your imagination, turn your ideas and dreams into a well documented design and help bring your project into reality.

Capabilities - 3D Parametric Design of various Mechanical Parts / Assemblies, upgrading of existing Client / Employer Designs and Developing Prototypes, detailed to AS1100. Workshop 2D drawings are produced from the 3D Models for accuracy. Adobe Acrobat 2D and 3D Model Pdfs. Other multiple CAD file conversion formats available. Contract Mechanical Design Drafting as required. 3D Printing in ABS & PLA.

Design - Initially starts with a concept, hand drawn sketches or a prototype of the product, and then with the aid of a computer, illustrate the initial scaled 3D version of the design. After consulting with the client produce detailed cad drawings, using the 3D model.

Software – Latest Autodesk Inventor Professional with full parametric design / detail CAD Software Package includes FEA capabilities, Parametric Design is a continual development in CAD software, and refers to the inclusion of parametric (adjustable) data embedded within 3D objects, giving life to Assemblies and Parts. Other Software AutoCAD Mechanical Desktop 2009 on Windows 10 PC & AutoCAD Mechanical

Projects but not confined to –

Mining –

- 1- Design and Detail Walkways, Handrails, Platforms & Electrical drawings as extras for Driltech D45 (self-propelled crawler mounted blast-hole drill for mining.)
- 2- Coal Mining - Design and Detail Safety Handrails to suit structure of Coal Conveyor Upgrade.
- 3- Quarry - Structural Design and Detail of Crushing and Screening Towers, Conveyors, Walkways, GTUs, Surge Bins, Guarding & Chutes.

Transport –

- 1- Road Grader – towable grader suitable for use behind larger 4WD, some redesign to ADR and full detail of workshop drawings.
- 2- Design Detail of Road Train Stock Crates.
- 3- Mobile Cranes – Design Detail Drafting of Mobile Cranes, Exploded Detail Drawings for use in Parts Manual, Revision of existing detail drawings, database input. Extensive Front & Rear Body re-design of existing 15 Ton Crane, Detail and Parts Book Updates. Details included Hydraulic, Compressed Air, Air-Con and Electrical Systems.

Refrigeration –

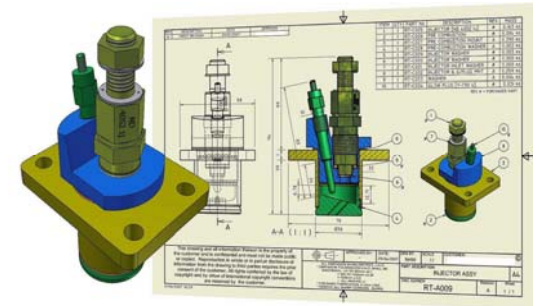
- 1- Industrial Refrigeration – Complete Plant Design & Detail of SO2 Refrigeration Plant for export, includes pressure vessels, compressor redesign, pipe work, skids. Pressure Vessel Design to ASME VIII Div1.
- 2- Commercial Refrigeration – Convert hand drawn sketches to 2D & 3D AutoCAD format. Detailing Parts, Assemblies & Units for various model capacities within a Product Range.

Sugar Refinery -

- 1- Minor Redesign of existing Mill Equipment and Detail, Cleated Belt Conveyor & Head Chute detailing.

Miscellaneous -

- 1- Render Equipment - Upgrade and various re-design of existing Render Mixing Machines, Setup CAD Drafting Standard. Detail Parts, Fabrications and Assemblies for Manufacture.
- 2- Marine Structures - Jetties, Pontoons and Catwalks, for submission for building approvals.
- 3- Prototyping - Re-design of existing petrol motor components to suit new Diesel configuration, produce animations to show working configuration and timing.
- 4- Forestry Equipment – Heavy duty plowing equipment with hydraulics, mounted to tractors and dozers, some redesign and fully detailed workshop drawings.
- 5- Substation Buildings – Design and Detail Electricity Substation Buildings to RPEQ & Skids to suit customer specs for Installation within Queensland & Northern Territory.



Why choose 3Dmdd ?

- 20+ years of practical knowledge and ability.
- 20+ years of design detail drafting.
- Competitive hourly rates.
- Confidentiality Assured.
- Flexible, to suit your project requirements.
- Use the latest Autodesk Software.
- All design work in 3D to minimize errors.
- 3D printing available (ABS & PLA)

3D Mechanical Design Drafting Pty Ltd
We look forward to having an opportunity to further discuss how we can contribute to your projects that need professional documentation.